

CODICE / Item no.

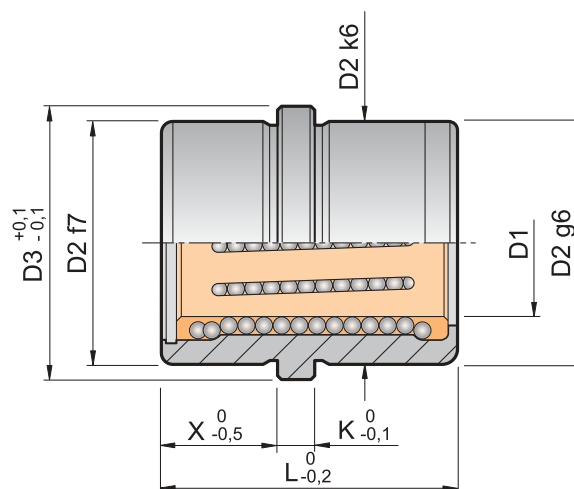
# BGRSA

Materiale: 1.7131 / 1.3505  
Material: 1.7131 / 1.3505

Durezza: 60÷ 62 / 62÷ 67  
Hardness: 61÷63 / 62÷67

| D1 | L  | D2 | D3 | K | X  |
|----|----|----|----|---|----|
| 12 | 26 | 22 | 26 | 6 | 6  |
| 18 | 35 | 30 | 35 | 6 | 11 |
| 24 | 45 | 38 | 43 | 6 | 16 |
| 30 | 55 | 46 | 52 | 6 | 21 |

## BUSSOLA CON RICIRCOLO SFERE RECIRCULATING BALL GUIDE BUSH FOR EJECTOR SET



CODICE / Item no.

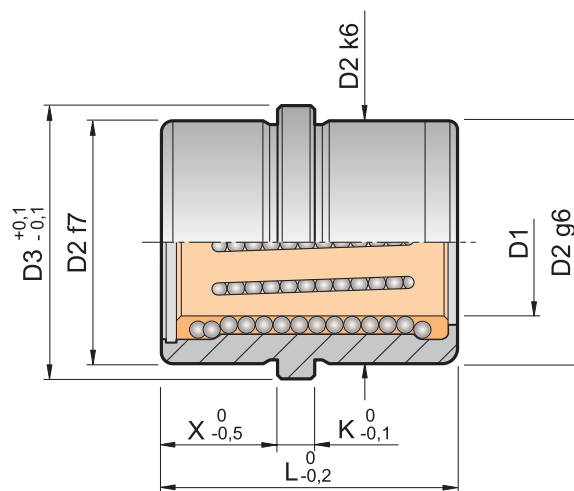
# BGRSB

Materiale: 1.7131 / 1.3505  
Material: 1.7131 / 1.3505

Durezza: 60÷ 62 / 62÷ 67  
Hardness: 61÷63 / 62÷67

| D1 | L  | D2 | D3 | K | X  |
|----|----|----|----|---|----|
| 12 | 22 | 24 | 28 | 6 | 8  |
| 16 | 22 | 28 | 32 | 6 | 8  |
| 16 | 26 | 28 | 32 | 6 | 9  |
| 20 | 26 | 32 | 36 | 6 | 9  |
| 20 | 35 | 32 | 36 | 6 | 9  |
| 25 | 26 | 40 | 45 | 6 | 9  |
| 25 | 35 | 40 | 45 | 6 | 10 |
| 25 | 45 | 40 | 45 | 6 | 10 |
| 25 | 55 | 40 | 45 | 6 | 10 |

## BUSSOLA CON RICIRCOLO SFERE RECIRCULATING BALL GUIDE BUSH FOR EJECTOR SET



| D1 | L  | D2 | D3 | K  | X  |
|----|----|----|----|----|----|
| 32 | 45 | 50 | 56 | 8  | 12 |
| 32 | 63 | 50 | 56 | 8  | 12 |
| 40 | 45 | 60 | 66 | 8  | 12 |
| 40 | 63 | 60 | 66 | 8  | 12 |
| 50 | 55 | 70 | 76 | 10 | 25 |
| 60 | 55 | 85 | 91 | 10 | 25 |